



# Application for Amendment

Application under the *Agricultural Operation Practices Act* to amend a permit for a confined feeding operation, manure collection area and/or manure storage facility(ies). ("Permit" means an NRCB-issued or grandfathered approval, registration, or authorization, including a grandfathered municipal development permit.)

<b>NRCB USE ONLY</b>	NRCB Application number	Date Stamp
<input checked="" type="checkbox"/> Approval <input type="checkbox"/> Registration <input type="checkbox"/> Authorization	<u>LA22001A</u>	<b>NRCB APPLICATION</b> 27 NOV 24 RECEIVED

## CONTACT INFORMATION

<b>Applicant Information</b>		
Name: <u>WILF SCHOLTEN</u>	Corporate Name (if applicable) <u>SCHOLTEN Farms LTD.</u>	
Address: (Street/P.O. Box) <u>Box 1161</u>		
City/Town: <u>PICTURE BUTTE</u>	Province: <u>AB</u>	Postal Code: <u>T0K-1V0.</u>
<b>Agent consent (if applicable)</b>		
I, _____, hereby give consent for _____ (name of applicant) (name of agent and company)		
to act on my behalf or as my agent for this application.		
Signed this ____ day of _____, 20____.		Signature of Applicant

## LOCATION OF DEVELOPMENT

Which permit do you wish to amend? (List permit number and issuing agency.)	<u>NE 1-11-22 W4M</u> <u>LA 22001</u>
Legal Land Description(s)	<u>NE 1-11-22-W4</u> (Qtr-Sec-Twp-Rg-W Mer)

## APPLICATION DISCLOSURE

This information is collected under the authority of the *Agricultural Operation Practices Act (AOPA)*, and is subject to the provisions of the *Freedom of Information and Protection of Privacy Act*. This information is public unless the NRCB grants a written request that certain sections remain private.

Any construction prior to obtaining an NRCB permit is an offence and is subject to enforcement action, including prosecution.

I, the applicant, or applicant's agent, have read and understand the statements herein and acknowledge that the information provided in this application is true to the best of my knowledge.

Oct 19/24  
Date of signing

SCHOLTEN Farms LTD.  
Corporate name (if applicable)

[Redacted Signature]  
S

WILF SCHOLTEN  
Print name

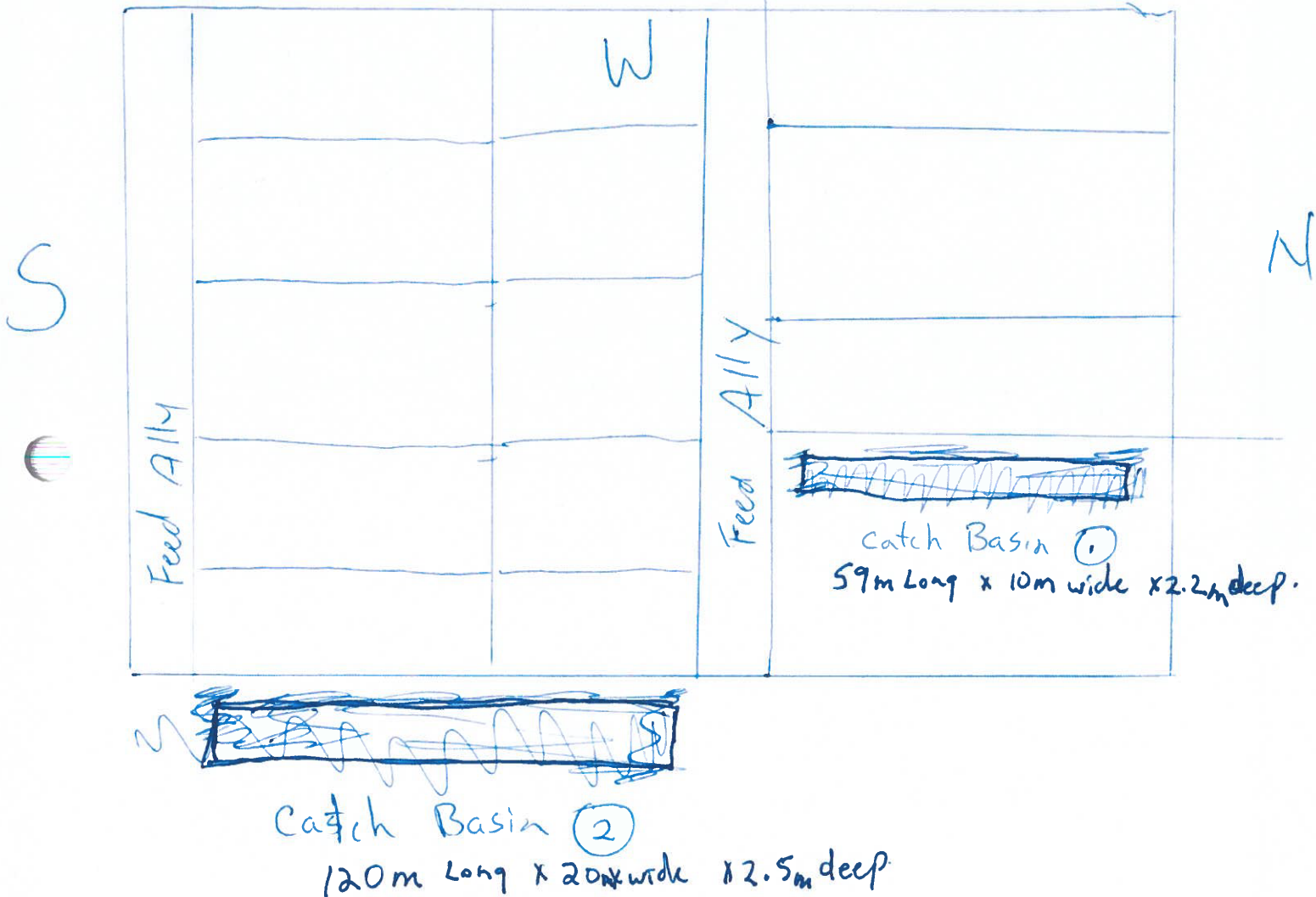
# Application for Amendment – contd.

## AMENDMENT INFORMATION REQUIREMENTS

### Instructions:

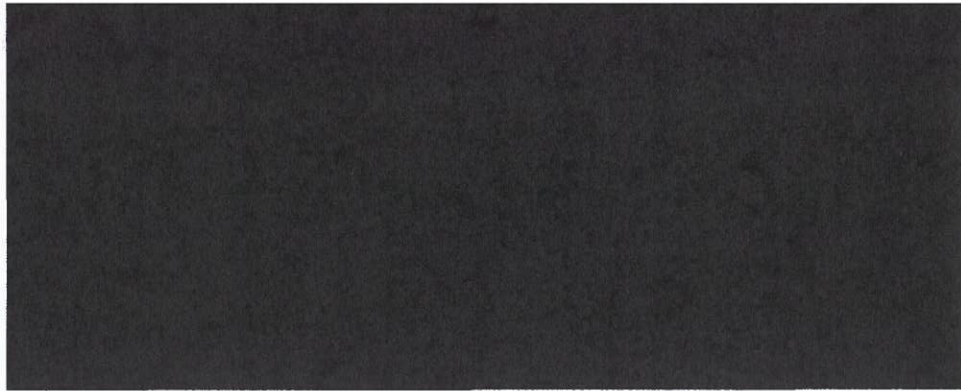
For each part of your permit that you would like amended, please detail what change you would like made and why, and how your proposed change will meet the AOPA requirements. You may attach additional pages to this form to provide this information.

Please note that an approval officer may require a page (or pages) of the Part 2 application forms to be completed as part of this application for amendment, depending on what changes are proposed.



Note: Two cath basins were constructed with the above dimensions, versus the three proposed and permitted in Approval LA22001

E



PH: 403-308-1212 OFFICE: 403-738-4033 email [redacted]  
PO Box 120 Turin, AB [redacted]

October 15, 2024

To: NRCB,

This letter is to inform you that the catch basins made for Scholten Farms by Dutchie Dirt-Moving Ltd. were made with the following dimensions:

Catch basin #1:

59 m long x 10 m wide x 2.2 m deep

Slopes: 2.2 to 1

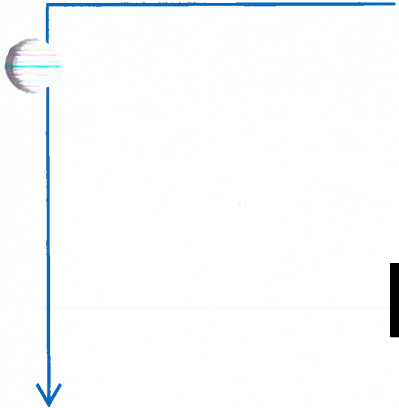
Catch basin #2

120 m long x 20 m wide x 2.5 m deep

Slopes: 3:1 (catch basin #2 sloped appropriately)

Please let me know if you need more information.

[redacted signature]  
Dutchie Dirt-Moving Ltd.



The inside side walls of catch basin #1 must be resloped to 3:1 as proposed and permitted in Approval LA22001, rather than the constructed slopes of 2.2:1.



# Catch Basin Storage Volume Calculator

Catch basin #1

Construction Dimensions of Catch Basin	
* Only cells in blue can be changed.	
Overall Dimensions of Catch Basin	
Total Length* <sub>4</sub>	59.0 m
Total Width* <sub>4</sub>	10.0 m
Total Depth* <sub>4</sub>	2.2 m
Design Capacity Depth	1.70 m
End Slope* <sub>4</sub>	run:rise
Side Slope* <sub>4</sub>	run:rise
Length of Bottom	45.8 m
Width of Bottom	(3.2) m
Capacity @ top of Bank	424 m <sup>3</sup>
Design Capacity of Catch Basin (freeboard level)	
Length (design capacity depth)	56.0 m
Width (design capacity depth)	7.0 m
Total Depth	2.2 m
Design Capacity Depth	1.70 m
End Slope	3 run:rise
Side Slope	3 run:rise
Design Capacity (freeboard level)	179 m <sup>3</sup>
level)	392 m <sup>2</sup>

CFO Name <sub>1</sub>	Schooten Farms
Land Location <sub>1</sub>	

Catch Basin Dimensions
194 ft
33 ft
7 ft
6 ft
3 run:rise
3 run:rise
150 ft
-10 ft
Capacity (@tob)
14,970 ft <sup>3</sup>
93,244 Imp. Gal.

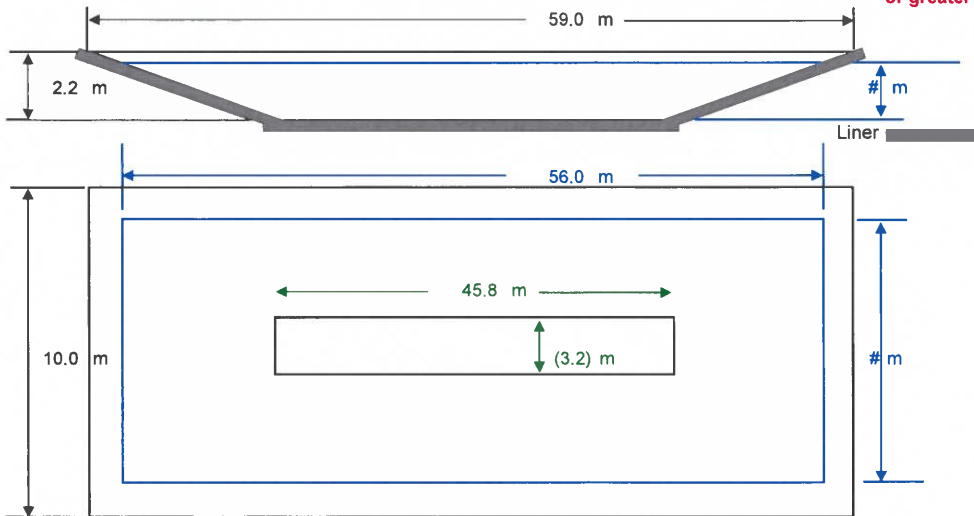
Paved Runoff Catchment Area(s)			
Area <sub>2</sub>	Length (m)	Width (m)	Area (m <sup>2</sup> )
1			0.0
2			0.0
3			0.0
4			0.0
5			0.0
Total Area (m <sup>2</sup> )			0

Unpaved Runoff Catchment Area(s)			
Area <sub>2</sub>	Length (m)	Width (m)	Area (m <sup>2</sup> )
6			0.0
7			0.0
8			0.0
9			0.0
10			0.0
Total Area (m <sup>2</sup> )			0

Rainfall (Select Town <sub>3</sub> )
Picture Butte 85
AOPA Design Rainfall 85 mm

Minimum Catchbasin Storage Volume Required
0 m <sup>3</sup> **
0 ft <sup>3</sup>
0 Imp. Gal.

\*\* Design capacity of catch basin should be equal to or greater than, minimum storage volume required.



— Lines in Black - Overall catch basin dimensions  
 — Lines in Blue - Design capacity depth dimensions (excludes freeboard)

NTS - Not To Scale

# Catch Basin Storage Volume Calculator

Catch basin #2

Construction Dimensions of Catch Basin	
* Only cells in blue can be changed.	
Overall Dimensions of Catch Basin	
Total Length* <sub>4</sub>	120.0 m
Total Width* <sub>4</sub>	20.0 m
Total Depth* <sub>4</sub>	2.5 m
Design Capacity Depth	2.00 m
End Slope* <sub>4</sub>	3 run:rise
Side Slope* <sub>4</sub>	3 run:rise
Length of Bottom	105.0 m
Width of Bottom	5.0 m
Capacity @ top of Bank	3,563 m <sup>3</sup>
Design Capacity of Catch Basin (freeboard level)	
Length (design capacity depth)	117.0 m
Width (design capacity depth)	17.0 m
Total Depth	2.5 m
Design Capacity Depth	2.00 m
End Slope	3 run:rise
Side Slope	3 run:rise
Design Capacity (freeboard level)	2,466 m <sup>3</sup>
level)	1,989 m <sup>2</sup>

CFO Name <sub>1</sub>	Schoffen Farms
Land Location <sub>1</sub>	

Catch Basin Dimensions
394 ft
66 ft
8 ft
7 ft
3 run:rise
3 run:rise
344 ft
16 ft
Capacity (@top)
125,809 ft <sup>3</sup>
783,640 Imp. Gal.

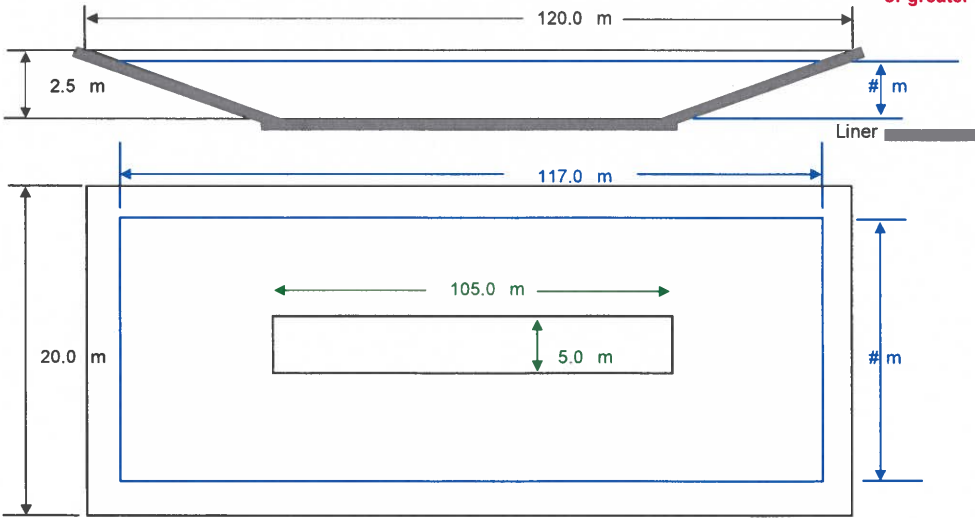
Paved Runoff Catchment Area(s)			
Area <sub>2</sub>	Length (m)	Width (m)	Area (m <sup>2</sup> )
1			0.0
2			0.0
3			0.0
4			0.0
5			0.0
Total Area (m <sup>2</sup> )			0

Unpaved Runoff Catchment Area(s)			
Area <sub>2</sub>	Length (m)	Width (m)	Area (m <sup>2</sup> )
6			0.0
7			0.0
8			0.0
9			0.0
10			0.0
Total Area (m <sup>2</sup> )			0

Rainfall (Select Town...)	
Picture Butte 85	
AOPA Design Rainfall	85 mm

Minimum Catchbasin Storage Volume Required	
0 m <sup>3</sup> **	0 ft <sup>3</sup>
	0 Imp. Gal.

\*\* Design capacity of catch basin should be equal to or greater than, minimum storage volume required.



— Lines in Black - Overall catch basin dimensions  
 — Lines in Blue - Design capacity depth dimensions (excludes freeboard)

NTS - Not To Scale

## Part 2 – Technical Requirements

Application under the *Agricultural Operation Practices Act* for a confined feeding operation, manure collection area and/or manure storage facility(ies)

<b>NRCB USE ONLY</b>	
<b>RUNOFF CONTROL CATCH BASIN CAPACITY SUMMARY (if applicable)</b>	
<b>Facility 1</b>	
Name / description <b>Catch basin #1</b>	Capacity <b>179 m3</b>
<b>Facility 2</b>	
Name / description <b>Catch basin #2</b>	Capacity <b>2466 m3</b>
<b>Facility 3</b>	
Name / description	Capacity
<b>Facility 4</b>	
Name / description	Capacity
<b>TOTAL CAPACITY</b>	<b>2645 m3</b>
<b>RUNOFF VOLUME FROM CONTRIBUTING AREAS</b>	<b>2031 m3</b>
<b>MEETS AOPA RUNOFF CONTROL VOLUME REQUIREMENTS</b>	<input checked="" type="checkbox"/> YES <input type="checkbox"/> NO

# Part 2 – Technical Requirements

Application under the *Agricultural Operation Practices Act* for a confined feeding operation, manure collection area and/or manure storage facility(ies)

## RUNOFF CONTROL CATCH BASIN: Naturally occurring protective layer (cont.)

### NRCB USE ONLY

Catch basin calculator. Total volume @ freeboard level: 2645 m<sup>3</sup> Runoff capacity requirements met:  YES  NO

Calculation of the volume attached:  YES  NO

Depth to water table: > 9.2 m Requirements met:  YES  NO

Depth to uppermost groundwater resource: >9.2 m Requirements met:  YES  NO

ERST completed:  See ERST page for details

Protective layer specification comments (e.g. sand lenses; layering uniform or irregular; number and location of boreholes):

Leakage detection system required:  YES  NO If yes, please explain.

# Part 2 – Technical Requirements

Application under the *Agricultural Operation Practices Act* for a confined feeding operation, manure collection area, and/or manure storage facility(ies)

**NRCB USE ONLY**  
**ENVIRONMENTAL RISK SCREENING INFORMATION**

ERST for **proposed** facilities

Facility	Groundwater score	Surface water score	File number
Catch basin #1	Low	Low	LA22001
Catch basin #2	Low	Low	LA22001

ERST for **existing** facilities

Facility	Groundwater score	Surface water score	File number
Feedlot pens (135mx75m, 225mx132m)	Low	Low	LA22001
Feedlot pens (irregular shape)	Low	Low	LA16056
Catch basin	Low	Low	LA16056
Feedlot pens (70mx60m, 37m x 60m)			Deemed

**ERST related comments:**

It was determined in Approval LA22001 that the catch basins posed a low risk to surface water and groundwater as they meet the technical requirements of AOPA. The change in the constructed catch basins does not change this determination as they were constructed to the same depth and in the same location as proposed in Approval LA22001.



# Part 2 – Technical Requirements

Application under the *Agricultural Operation Practices Act* for a confined feeding operation, manure collection area, and/or manure storage facility(ies)

**NRCB USE ONLY**

**WATER WELL AND SURFACE WATER INFORMATION**

Well IDs: No wells within a 1 mile radius

Surface water related concerns from directly affected parties or referral agencies:  YES  NO

Groundwater related concerns from directly affected parties or referral agencies:  YES  NO

**Water wells**  N/A

If applicable, exemption for 100 m distance requirements applied:  YES  NO Condition required:  YES  NO

**Surface water**  N/A

If applicable, exemption for 30 m distance requirements applied:  YES  NO Condition required:  YES  NO

**Water Well Exemption Screening Tool**  N/A

Water Well ID	Preliminary Screening Score	Secondary Screening Score	Facility

**Groundwater or surface water related comments:**

# Part 2 – Technical Requirements

Application under the *Agricultural Operation Practices Act* for a confined feeding operation, manure collection area, and/or manure storage facility(ies)

## NRCB USE ONLY

### MINIMUM DISTANCE SEPARATION

Methods used to determine distance (if applicable): Google earth

Margin of error (if applicable): +/- 3m

Requirements (m): Category 1: 542 m Category 2: 723 m Category 3: 903 m Category 4: 1445 m

Technology factor:  YES  NO

Expansion factor:  YES  NO

MDS related concerns from directly affected parties or referral agencies:  YES  NO

Approval LA22001 required one MDS waiver from a neighboring residence. The constructed catch basins are within the permitted footprint in Approval LA22001. A new MDS waiver is not required for this amendment.

### LAND BASE FOR MANURE AND COMPOST APPLICATION

Land base required: \_\_\_\_\_

Land base listed: \_\_\_\_\_

NA for amendment

Area not suitable: \_\_\_\_\_

Available area: \_\_\_\_\_

Requirement met:  YES  NO

Land spreading agreements required:  YES  NO

Manure management plan:  YES  NO

If yes, plan is attached:

### PLANS

Submitted and attached construction plans:  YES  NO

Submitted aerial photos:  YES  NO

Submitted photos:  YES  NO

### GRANDFATHERING

Already completed:  YES  NO  N/A

If already completed, see LA16056

# Part 2 – Technical Requirements

Application under the *Agricultural Operation Practices Act* for a confined feeding operation, manure collection area, and/or manure storage facility(ies)

**NRCB USE ONLY**

**ALL SIGNATURES IN FILE**

YES  NO

**DATES OF APPROVAL OFFICER SITE VISITS**

November 19, 2024	
November 26, 2024	

**CORRESPONDENCE WITH MUNICIPALITIES AND REFERRAL AGENCIES**

Date deeming letters sent: January 14, 2025

Municipality: Lethbridge County

letter sent       response received       written/email       verbal       no comments received

**Alberta Health Services:**  N/A

letter sent       response received       written/email       verbal       no comments received

**Alberta Environment and Parks:**  N/A

letter sent       response received       written/email       verbal       no comments received

**Alberta Transportation:**  N/A

letter sent       response received       written/email       verbal       no comments received

**Alberta Regulatory Services:**  N/A

letter sent       response received       written/email       verbal       no comments received

**Other:** LNID  N/A

letter sent       response received       written/email       verbal       no comments received

**Other:** Atco Gas      Lethbridge North County Potable Water Coop  N/A

letter sent       response received       written/email       verbal       no comments received